

WORLD MARKET®

Assembly Instructions

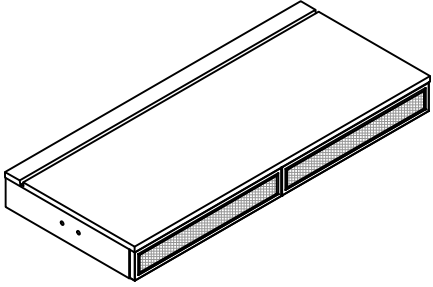
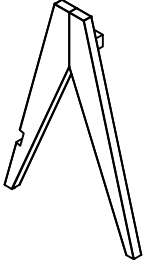
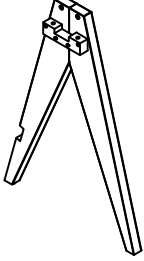
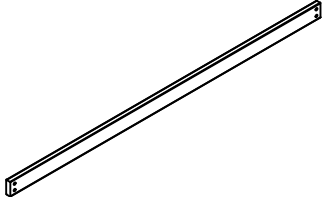
Matteo Cane Drawer Desk SKU - 613601



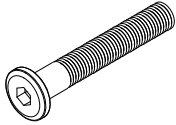
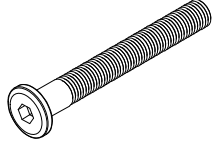


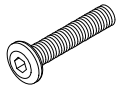


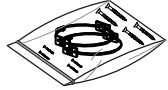
THANK YOU FOR YOUR PURCHASE. IF YOU HAVE ANY QUESTIONS
PERTAINING TO THE ASSEMBLY OF THIS FURNITURE PIECE, PLEASE CONTACT
THE NEAREST WORLD MARKET STORE
IF YOU ARE NOT NEAR A STORE PLEASE CALL OUR CUSTOMER SERVICE CALL
CENTER TOLL FREE AT 877-967-5362 FOR ASSISTANCE.

All products sold at World Market are not for commercial use and are intended for residential use only.

Component List

LABEL	PICTURE	DESCRIPTION	Q.TY
A	 A perspective drawing of a rectangular frame with a slightly raised top edge and a recessed bottom edge. The front edge shows two small circular holes.	Top Frame	1
B1	 A perspective drawing of a single leg, showing a vertical section and a horizontal section that connects to the top frame.	Left Leg	1
B2	 A perspective drawing of a single leg, similar to the left leg but with a different internal structure at the top joint.	Right Leg	1
C	 A perspective drawing of a long, thin, rectangular bar with a slightly curved shape.	Back Stretcher	1

Hardware List

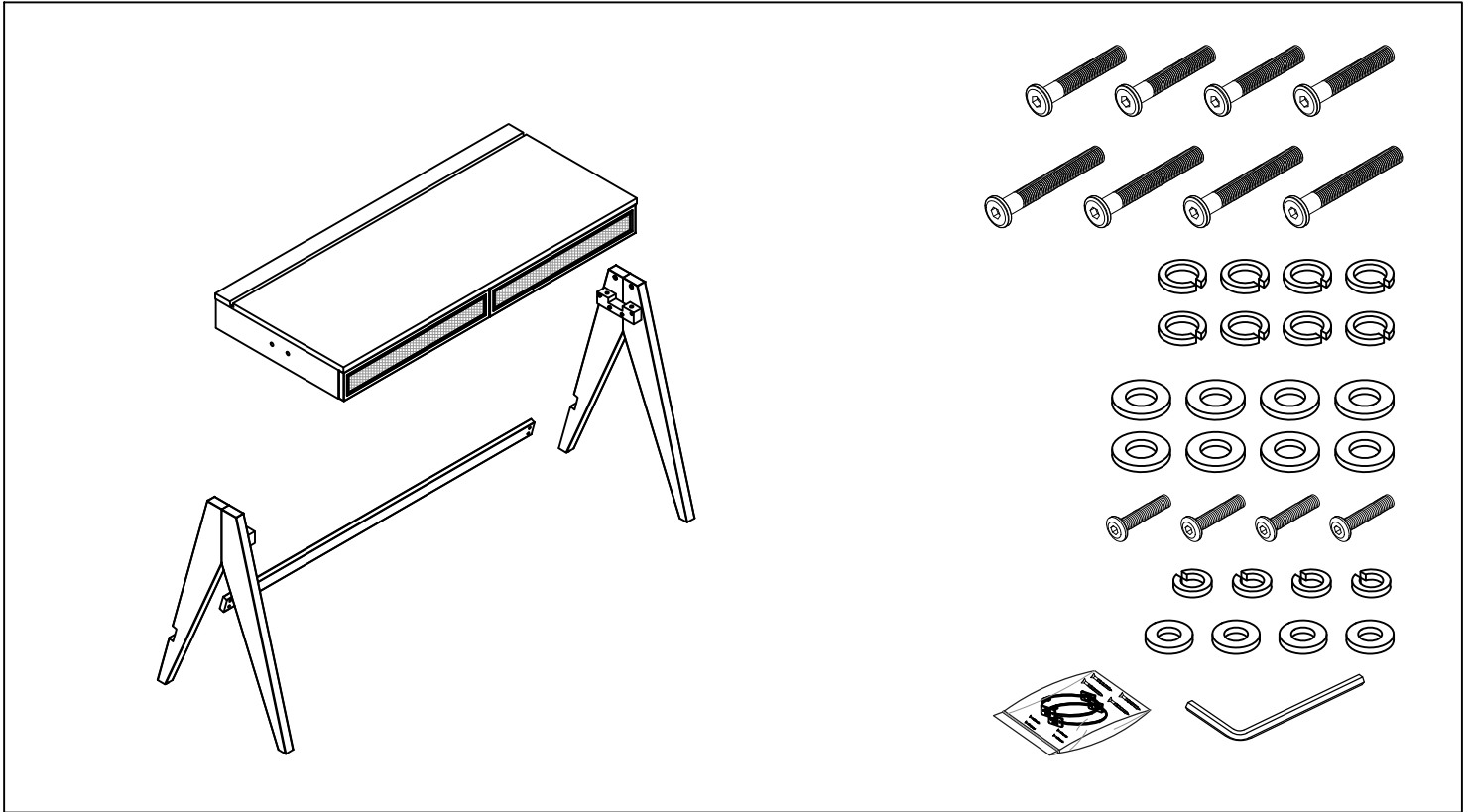
LABEL	PICTURE	DESCRIPTION	Q.TY
H-1		Medium Allen Bolt M8 x 45 mm	4
H-2		Long Allen Bolt M8 x 50 mm	4
H-3		Lock Washer Ø8 x 13 x 2 mm	8
H-4		Flat Washer Ø8 x 16 x 2 mm	8
H-5		Short Allen Bolt M6 x 30 mm	4
H-6		Lock Washer Ø6 x 10.5 x 2 mm	4
H-7		Flat Washer Ø6 x 13 x 2 mm	4
H-8		Anti Tip-kit	1

Tool List

LABEL	PICTURE	DESCRIPTION	QTY
T-1		Allen Key 4 x 57 x 25 mm	1

Assembly Preparation

Before Beginning:



- Unpack all hardware bags and components to ensure you have all parts.



- Read instructions, cover to cover.



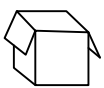
- Have 2 adults on hand for assembly.



- Do not assemble on flooring or carpet.



- Assemble on a clean non-marring surface (packing foam).



- Save all packaging until finished.



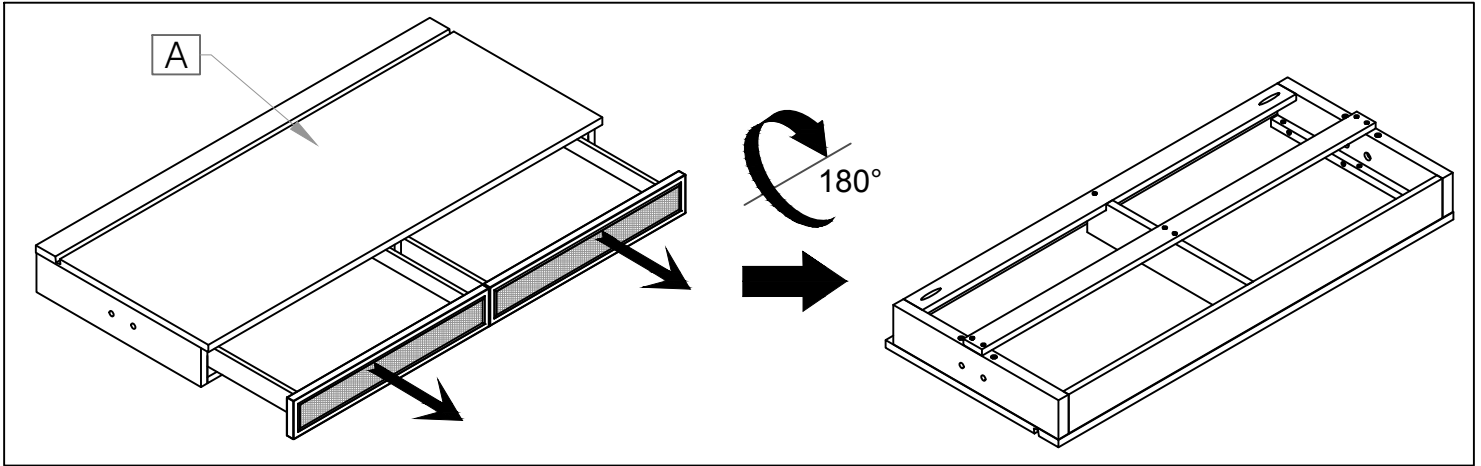
- In case of missing parts, please contact your nearest World Market store or call our customer service call center at call 1-877-967-5362.



- **WARNING:** Small parts are a choking hazard. Adult supervisions is required before, during, and after assembly.

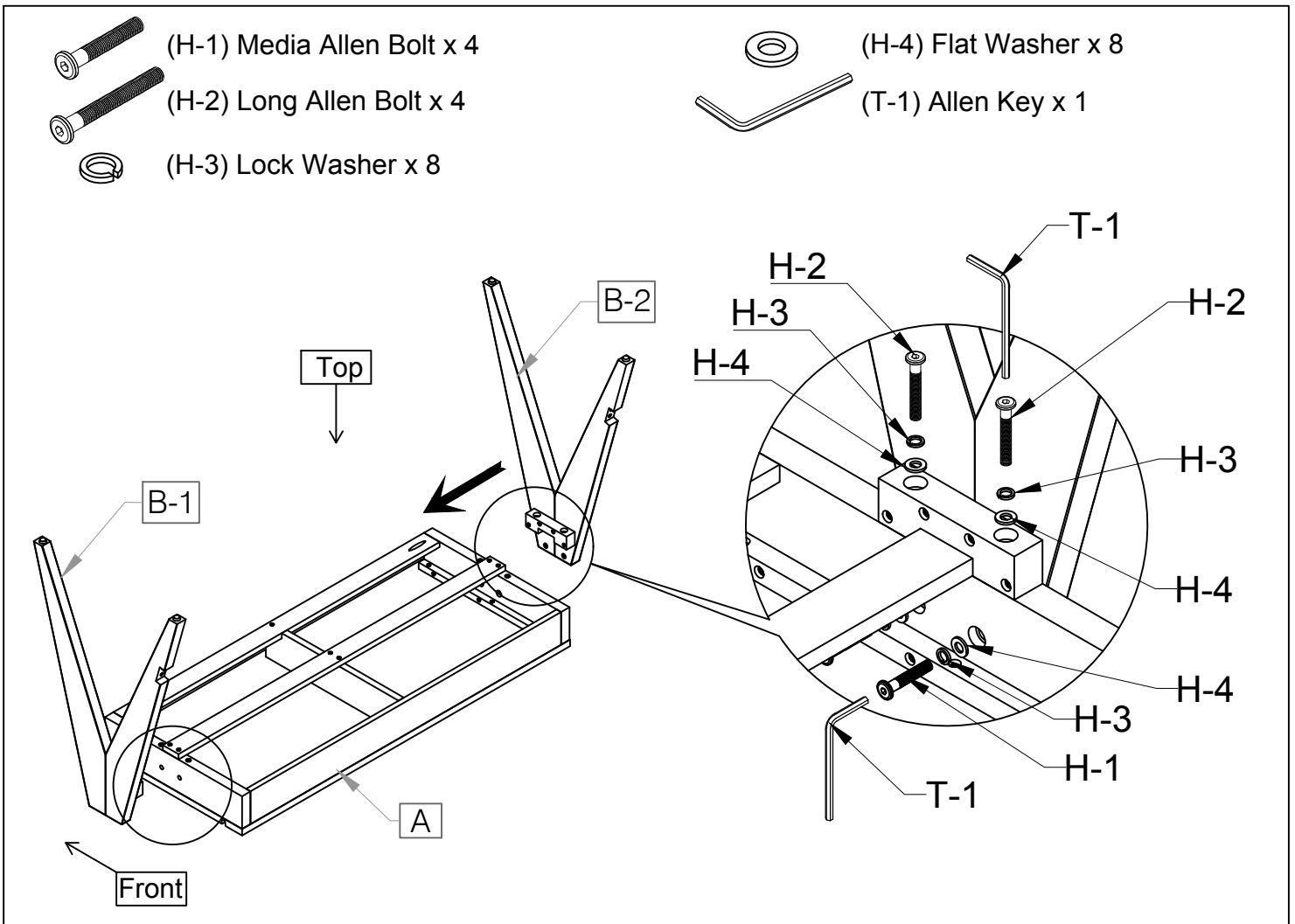
Assembly Steps

Step 1



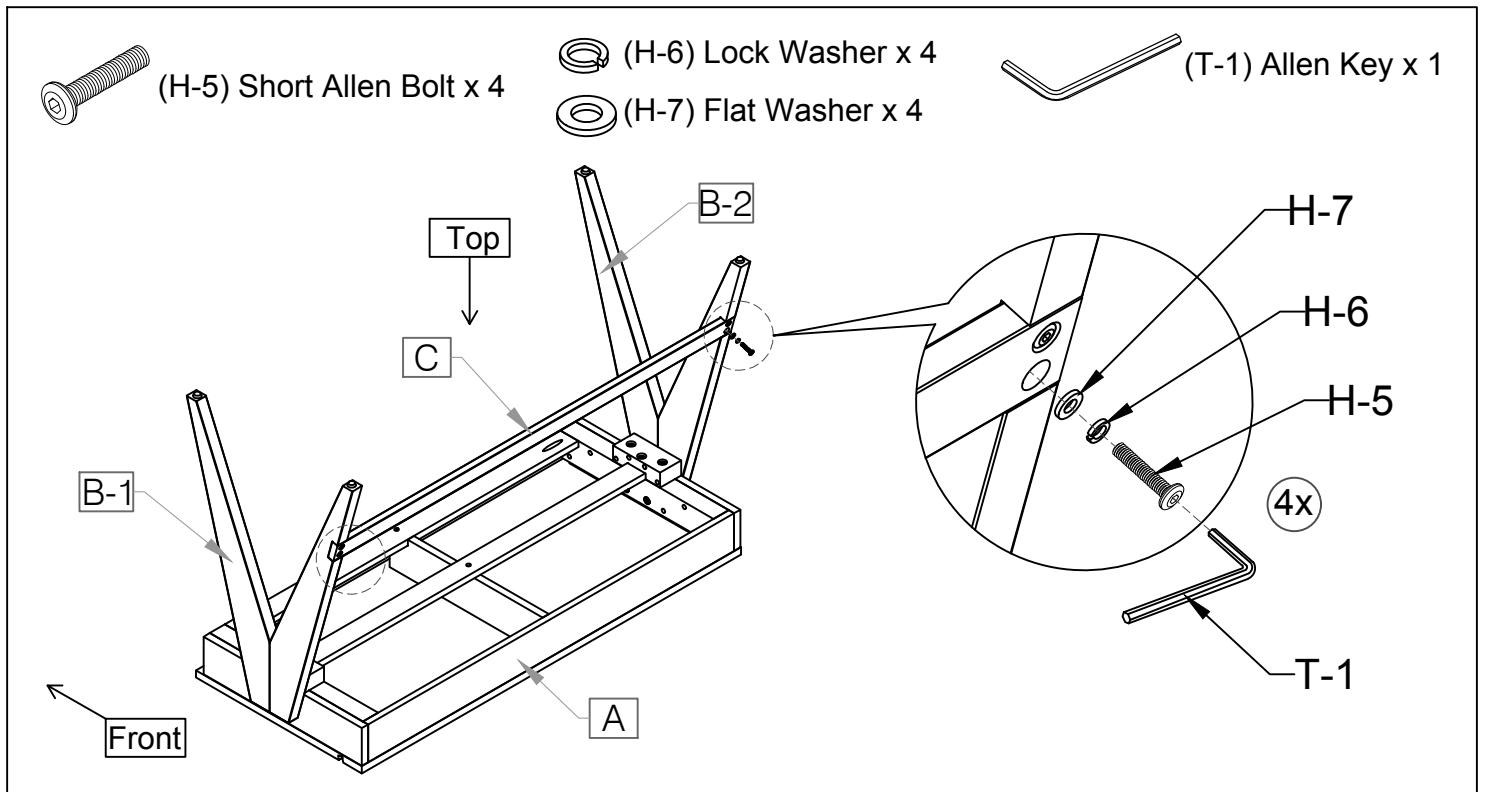
Step 1.1: Place Top Frame (A) onto a padded, non-marring surface. Remove both drawers.
Step 1.2: Using a second person to assist you, carefully turn Table Top (A) upside down as shown.

Step 2



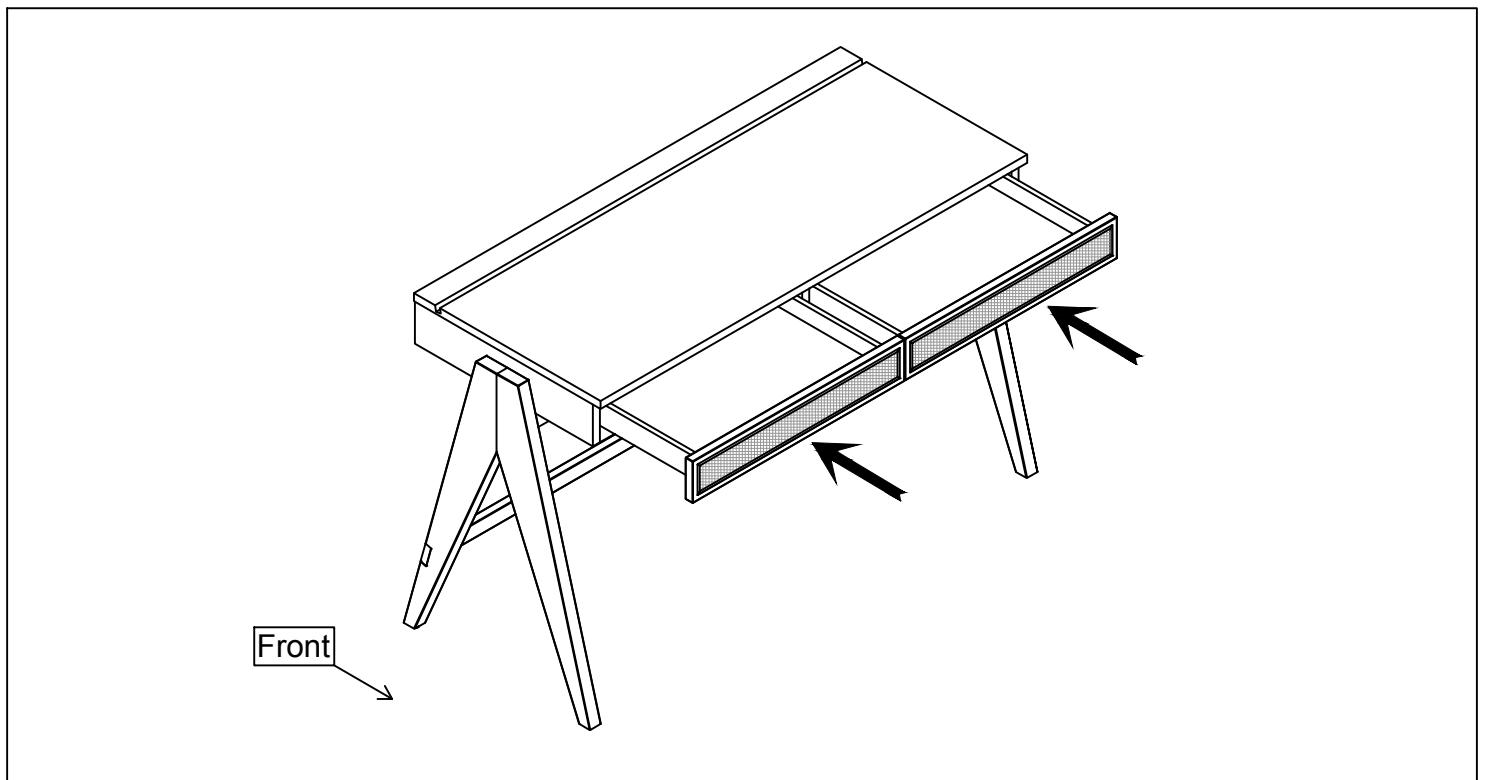
Position and secure Top Frame (A) to Left Leg (B-1) and Right Leg (B-2) using Medium Allen Bolts (H-1), Long Allen Bolt (H-2), Lock Washers (H-3) and Flat Washers (H-4), stacking the hardware in the order as shown. Fully engage all bolts using Allen Key (T-1) but do not tighten them yet.

Step 3



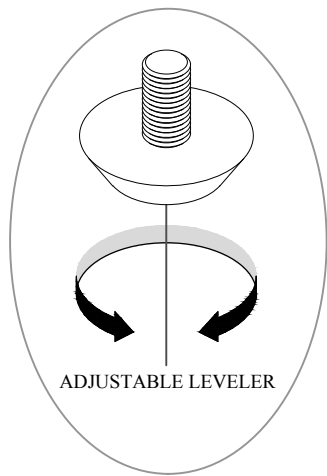
Position and secure Back Stretcher (C) to Leg frame using Short Allen Bolt (H-5), Lock Washers (H-6) and Flat Washers (H-7), stacking the hardware in the order as shown. Fully engage all bolts using Allen Key (T-1) but do not tighten them yet.

Step 4

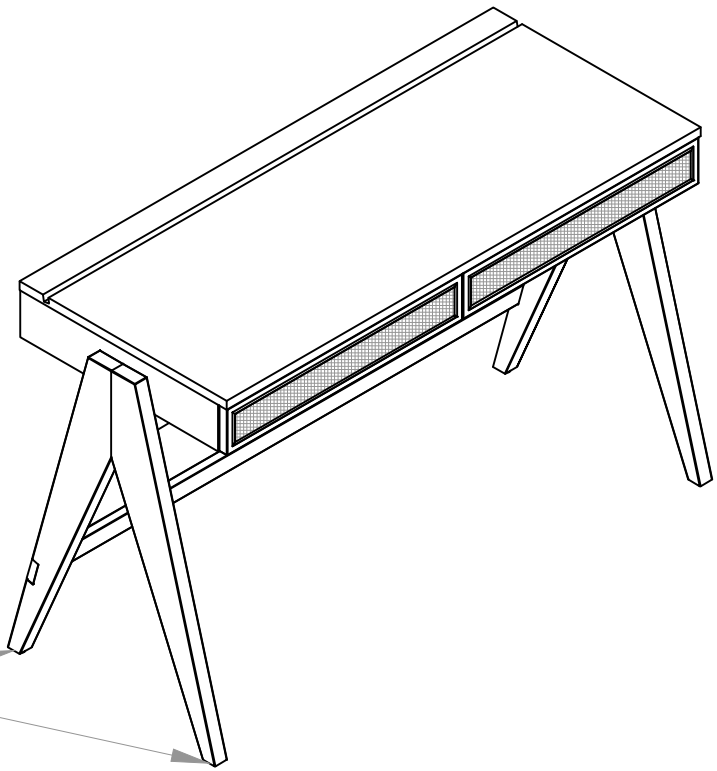


Turn the assembled unit upright and insert Drawer into the Top Frame.

Step 5



NOTE: Levelers can be used for adjustment if needed.

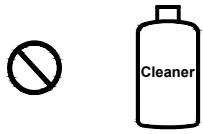


Ensure that all bolts have been fully tightened.
Assembly is now complete and the desk is ready for use.
NOTE: Levelers can be adjusted for additional stability if needed.

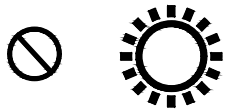
Care & Maintenance



- Do not put hot items directly on furniture surface.



- Do not clean furniture with harsh cleansers or polish.



- Do not place furniture in direct sunlight.



- Do not place furniture near heating or cooling vents.



- Do not write on furniture without a padded barrier to protect the surface.



- Do not place furniture outside. For indoor use only.



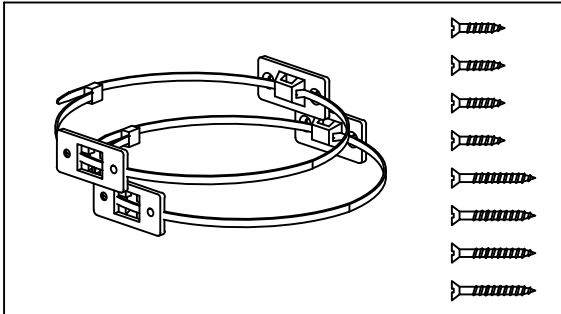
- All products sold at World Market are not for commercial use and are intended for residential use only.



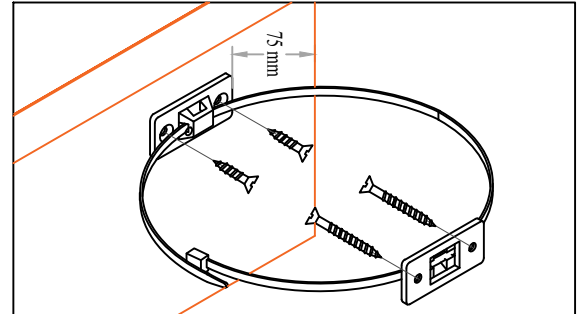
- Dust and pick-up spills using a clean, non-colored, lint-free, dry cloth.

Anti-Tip Measures

Warning - Children may be injured by tipping of furniture and the use of the Anti-Tip Kit is highly recommended. This Anti-Tip Kit is only a deterrent. It is not a substitute for proper adult supervision. Manufacturer and retailer assumes no liability for improper installation or excess loads placed on screws, brackets, or straps. When properly installed, this restraint provides protection against unexpected tipping of furniture. This Anti-Tip Kit MUST be installed into the wall using proper mounting hardware OR into a wall stud using appropriate screws. Position of the Anti-tip Kit depends on the product and the location of the wall studs. The hardware provided is not a comprehensive solution for all wall types. Be sure to consult a professional or your local hardware store to determine the hardware needed for your specific wall type (plaster, drywall, concrete, etc,...).



Anti-Tip kit contents



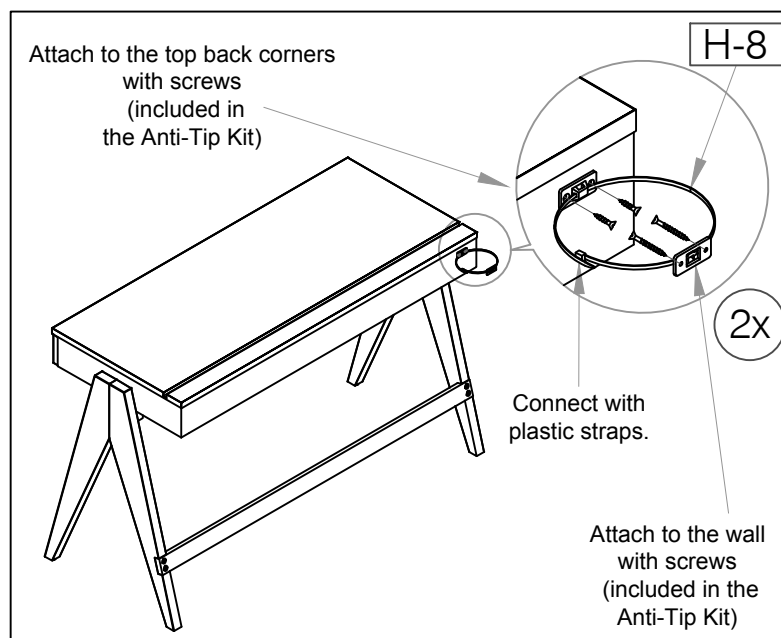
Anti-Tip kit installation

⚠ WARNING

Children have died from furniture tipover. To reduce the risk of furniture tipover:

- ALWAYS install tipover restraint provided.
- NEVER put a TV on this product.
- NEVER allow children to stand, climb or hang on drawers, doors, or shelves.
- NEVER open more than one drawer at a time.
- Place heaviest items in the lowest drawers.

***This is a permanent label.
Do not remove!***



WORLD MARKET LIMITED ONE-YEAR WARRANTY – Indoor Furniture

For your customer satisfaction, this product carries a LIMITED ONE-YEAR WARRANTY from the date of purchase. This limited warranty only applies to World Market brand furniture, and not to other furniture brands sold on World Market's website.

Where applicable, the limited warranty provides coverage for:

1. **Manufacturing, Material and Workmanship Defects:** Includes defects related to core frame/structure substrates (wood and metal); cracking, splitting, or complete breakage of hardwood, plywood or medium density fiberboard (MDF); cracking, splitting or lifting of wood veneer or laminated top surfaces caused by process failure; broken welds or improperly coated metal frame components (powder coating or painted); fabric or leather material defects including tears, misprints, fraying, crease marks, skip stitches or open seams; support webbing material and sinuous spring defects or damage, including method of attachment to frame; and other component failures that are a direct result of manufacturing or workmanship defects.
2. **Cushions & Cushions with Enclosed Steel Pocket Coils:** Failed or ruptured steel pocket coils enclosed inside of seat cushions, or loss of resiliency from a material breakdown of foam or fiber filling, which should not be confused with softening or settling during normal use.
3. **Leather:** Splitting or cracking of leather material. NOTE: The warranty does NOT cover natural hide markings, variations in the leather color or grain due to the authentic natural properties of processed cowhide leather.
4. **Bonded Leather or Bi-cast Leather:** Separation of the polyurethane coating, peeling or cracking of the inner layer or at the bonded seam edges (bi-cast straps).
5. **Furniture Components (Hardware & Mechanisms):** Includes defects to pre-installed components or hardware provided to the customer for assembly such as office chair hydraulic lifts, lift mechanisms, metal bases and casters, swivel plate mechanisms; for drawers, metal glides, handles/knobs; for doors, hinges, magnetic latches; and other components such as bent or stripped threaded leg posts and adjustable levelers. For missing, damaged, corroded, or misplaced hardware components such as bolts or washers, please contact Customer Service at: 877-967-5362.

This LIMITED ONE-YEAR WARRANTY does NOT cover:

1. Damage due to mishandling during transportation from store or transportation without original protective packaging.
2. Abuse, negligence (product misuse) or wear and tear that may result in or from:
 - a. **Wood & Veneer:** Mishandling, exposure to moisture, peeling or discoloration caused by exposure to moisture or excessive sunlight, heat; splintered, dented or nicked panels, legs or component edges or paint/finish blemishes; or treatment with corrosive chemicals (dyes, inks, paints or harsh cleaning products).
 - b. **Fabric & Leather (Including Bonded or Bi-Cast Leathers):** cuts, punctures, tears, burns, pet damage, or treatment with corrosive chemicals (dyes, inks, paints or harsh cleaning products), exposure to direct sunlight, fire, high heat, water, or any bright light source (natural or artificial) that may cause splitting, peeling or flaking with time.
 - c. **Foam (Cushions):** Flattening, relaxing or settling/softening of foam components that comes with normal use.
 - d. **Hardware Components:** improper installation or misuse/substitution of hardware components not defined in the Assembly Instructions for the product (if applicable)
3. Damage due to environmental exposure to direct sunlight, fire, high heat, water or extreme humidity, any bright light source (natural or artificial), or any environment that the product is not intended for.
4. This warranty is applicable for indoor furniture products purchased for residential use only.

For additional information on returns, please visit: <https://www.worldmarket.com/category/customer-service/returns.do>

All products sold at World Market are NOT FOR COMMERCIAL USE and are intended for residential use only. Products purchased for commercial use will VOID all warranty provisions as listed above.

Any claims under this LIMITED ONE-YEAR WARRANTY are valid and applicable only as to the original purchaser and must be accompanied by proof of purchase. Warranty claims should be submitted to a World Market store or through World Market Customer Service Call Center, Toll Free at 877-967-5362.

For valid warranty claims, World Market will repair or replace the product, or offer a full or partial credit, in the sole discretion of World Market. This LIMITED ONE-YEAR WARRANTY gives you specific legal rights and you may also have other rights which vary from state to state.